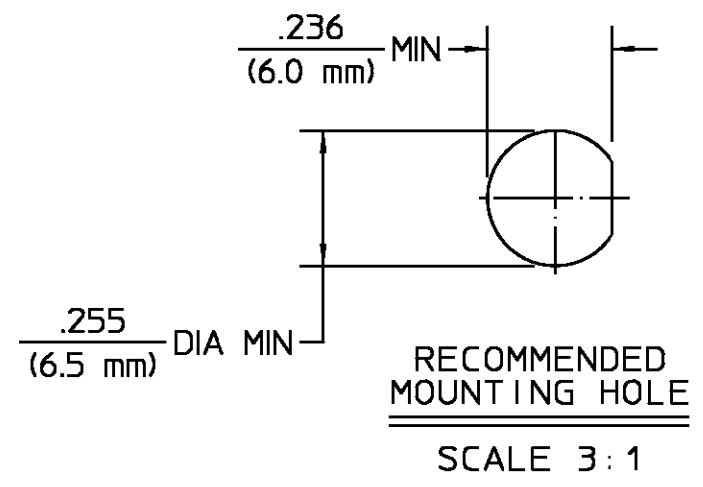


| REVISIONS | | | |
|-----------|---------------------------|---------------|------------|
| REV | DESCRIPTION | DATE | APPROVED |
| 01 | 4 REVISED PER ECN 95-0383 | JD 8/18/95 | <i>PRB</i> |



NOTES:
1. CAPTURED CENTER CONTACT

| | | |
|----------------|---|-------------------------------|
| HOUSING | STAINLESS STEEL PER ASTM-A484 AND ASTM- A582, TYPE 303 | GOLD PLATE PER MIL-G-45204 |
| MOUNTING NUT | | |
| LOCKWASHER | | |
| DIELECTRIC | TFE FLUOROCARBON PER ASTM-D-1457, MIL-P-19468, AND FED. SPEC L-P-403 | N/A |
| CENTER CONTACT | BERYLLIUM COPPER PER QQ-C-530, ALLOY 173 | GOLD PLATE PER MIL-G-45204 |
| COMPONENT | MATERIAL | FINISH |

| | | | | | |
|--|--------------------|---|-------------------------|--------------|---|
| UNLESS OTHERWISE SPECIFIED DIMENSIONS ARE IN INCHES TOLERANCE ON | DRAWN BY | BWC | DATE | 6/6/67 | AMP Incorporated 140 Fourth Avenue Waltham, MA 02451-7599 |
| | CHECKED BY | PRB | 5/7/68 | | |
| FRAC. DEC. ANGLES ± 1/64 ± .005 ± 1° | APP'D BY | DN | 5/7/68 | | |
| These drawings and specifications are the property of M/A-COM incorporated and shall not be reproduced or copied or used in whole or in part as the basis for the manufacture or sale of item(s) without written permission. | USE ASSY PROCEDURE | TITLE OSM BULKHEAD FEEDTHRU FRONT MOUNT JACK RECEPTACLE SOLDER POT TERMINAL | | | |
| | NO. AP. <u>N/A</u> | SIZE B | CODE IDENT NO. 26805 | 2058-0000-00 | REV 01 |
| | | SCALE 6:1 | SHEET 1 OF 1 | | |